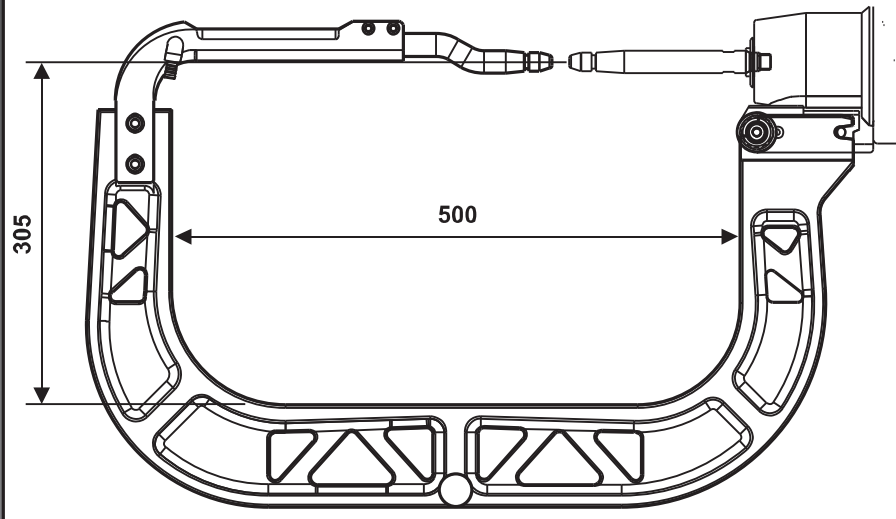
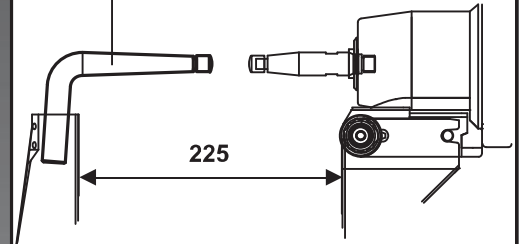


Selection of Arms, Electrodes and Accessories

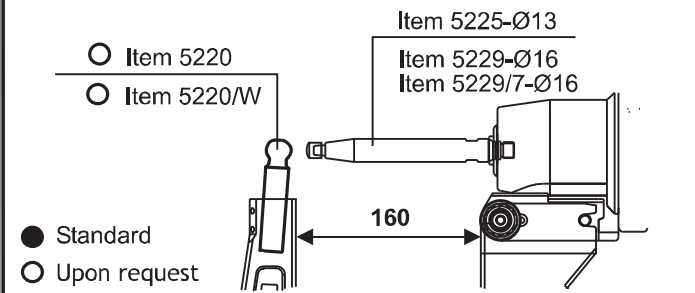
Item 8690/W/S



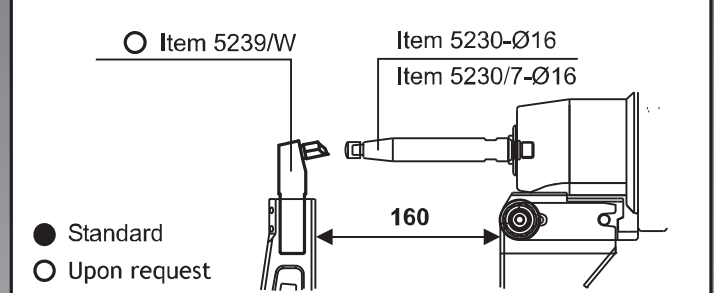
- Item 5222-Ø13
- Item 5222/W-Ø13
- Item 5223/W-Ø16



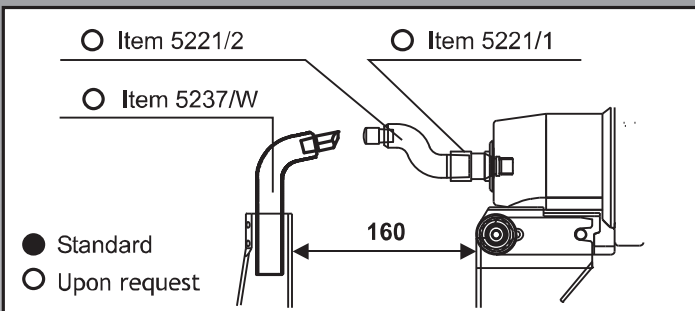
- Standard
- Upon request



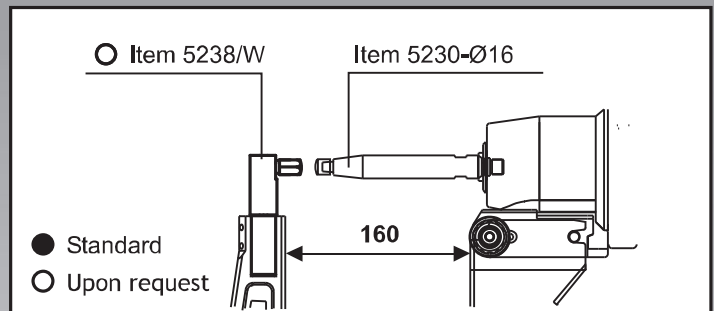
- Standard
- Upon request



- Standard
- Upon request

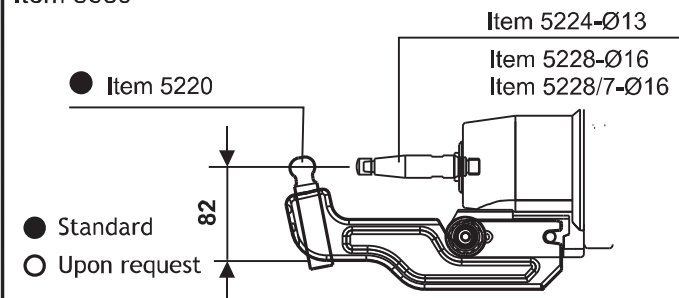


- Standard
- Upon request

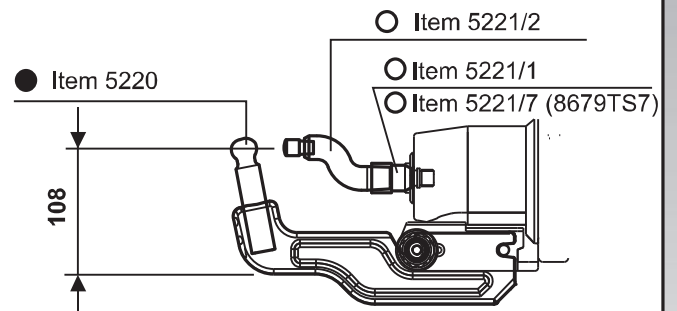


- Standard
- Upon request

Item 8689



- Standard
- Upon request



- Item 5220

- Item 5221/2
- Item 5221/1
- Item 5221/7 (8679TS7)

OPTIONAL
for
5221/2



5210/C



5211/C



5212/C



5214/C



5218/C

The accessories upon demand item 8689-5220-5221/1-5221/2 can be used at max 6 bar only